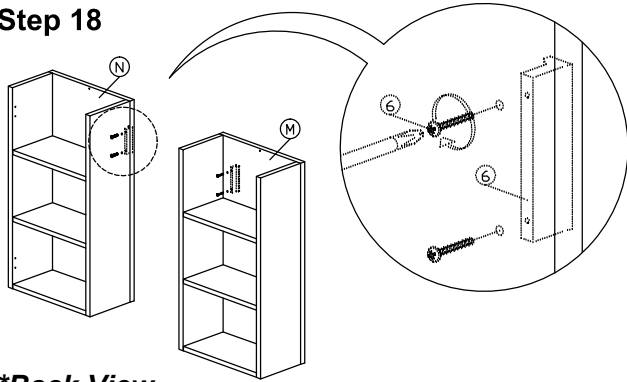


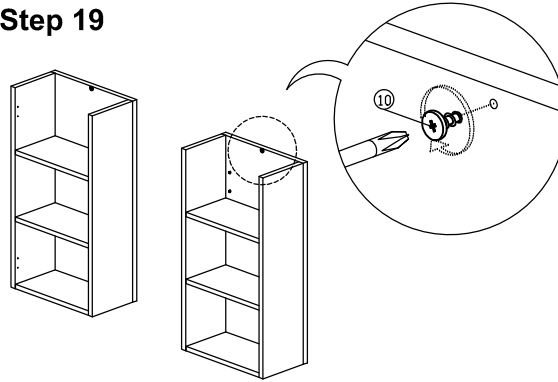
# Assembly Instruction

Step 18

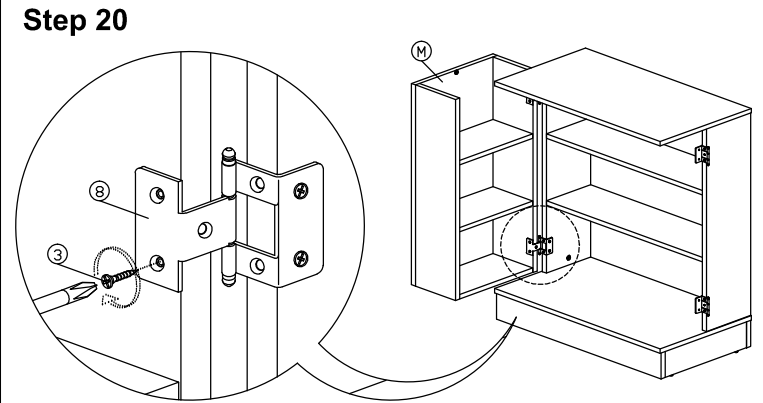


*\*Back View*

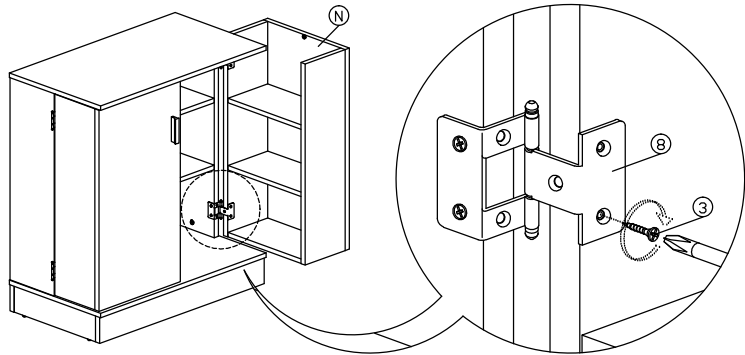
Step 19



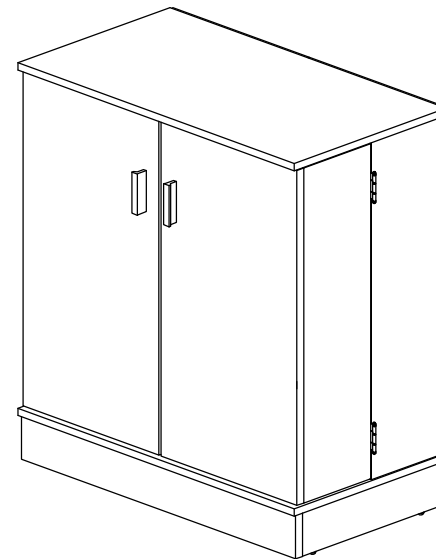
Step 20



Step 21



Complete



Step 22

